

# RESERVOIRS - GRAVITY WITH FILTER NO FLOW CONTROL

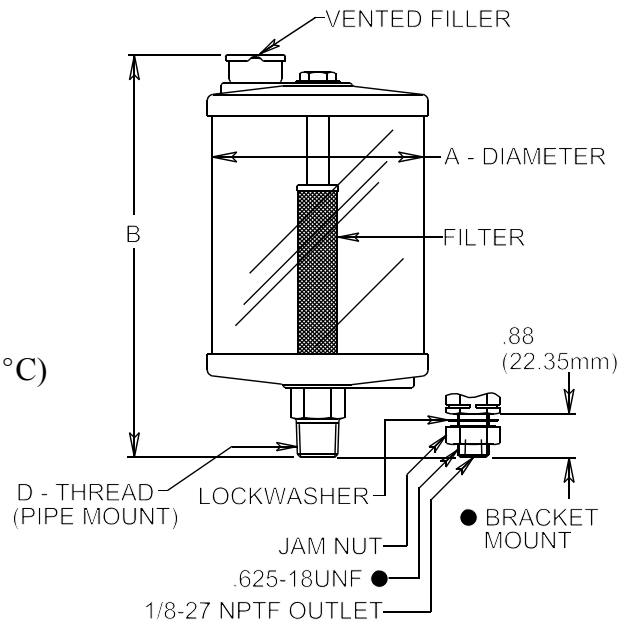
LDI INDUSTRIES' gravity feed reservoirs without flow control are ideal for use as makeup or replenishing reservoirs. They can be installed in most cases to serve both as an oil cup to maintain oil level and as an oil gage to provide a full 360° visual check of fluid level and condition. All reservoirs feature self-closing snap lid filler caps, vented on vertical plane to minimize the possibility of dust and dirt from entering the reservoir through the vent. Reservoirs can be disassembled for occasional cleaning. Pipe or bracket mount styles are available.

## STANDARD MATERIALS:

- Aluminum construction
- Buna N seals
- Break resistant, colorless transparent polymer
- 100 Mesh stainless steel filter

## OPERATING CONDITIONS:

- Maximum working temperature up to 140°F (60°C)
- Rating is at atmospheric pressure



CATALOG NUMBER	CAPACITY	A INCHES (mm)	B INCHES (mm)	D THREAD
POLYMER				▼ BRASS SHANK
R110-02F	1 pint (.473 liter)	3.50 (88.90)	6.38 (162.05)	1/4-18 NPTF
R110-03F				3/8-18 NPTF
R110-04F				1/2-14 NPTF
R110-08F				.625-18 UNF ●
R111-02F	1 quart (.946 liter)	4.25 (107.95)	7.78 (197.61)	1/4-18 NPTF
R111-03F				3/8-18 NPTF
R111-04F				1/2-14 NPTF
R111-08F				.625-18 UNF ●
R112-02F	1/2 gallon (1.9 liter)	5.50 (139.70)	9.91 (251.72)	1/4-18 NPTF ▼
R112-03F				3/8-18 NPTF
R112-04F				1/2-14 NPTF
R112-08F				.625-18 UNF ●
R113-02F	1 gallon (3.8 liter)	5.50 (139.70)	14.91 (378.72)	1/4-18 NPTF ▼
R113-03F				3/8-18 NPTF
R113-04F				1/2-14 NPTF
R113-08F				.625-18 UNF ●



Lube Devices • Flodar • Hydra-Tool • Vescor  
 1864 Nagle Ave. P. O. Box 1810  
 Manitowoc, WI 54221-1810  
 Phone: (920) 682-6877 Fax: (920) 684-7210  
 E-MAIL: sales@ldi-industries.com WEBSITE: www.ldi-industries.com

RESERVOIRS -GRAVITY WITH FILTER  
 NO FLOW CONTROL

8/06 **BULLETIN F357-7**  
 ISO9001:2000 CERTIFIED