

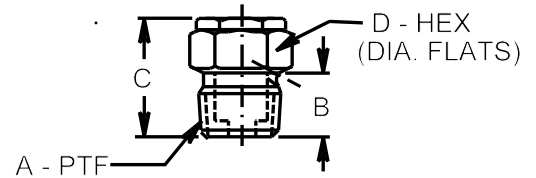
# VENTS / BREATHERS

## FILTER VENT

CATALOG NUMBER	A	B - INCHES (mm)	C - INCHES (mm)	D - INCHES (mm)
FV101-S	1/8	.31 (7.87)	1.06 (26.92)	.75 (19.05)
FV102-S	1/4	.50 (12.70)	1.19 (30.23)	.75 (19.05)
FV103-S	3/8	.50 (12.70)	1.03 (26.16)	.75 (19.05)
FV104-S	1/2	.62 (15.75)	1.21 (30.73)	.94 (23.88)
FV105-S	3/4	.62 (15.75)	1.37 (34.80)	1.12 (28.45)
FV106-S	1	.81 (20.57)	1.56 (39.62)	1.38 (35.05)

### STANDARD MATERIALS:

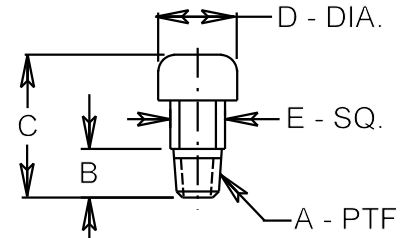
- 40 micron filter element which is easily removable for cleaning.
- Steel zinc plated construction.
- \* Optional 10 micron filter element is available



## PROTECTED VENT

CATALOG NUMBER	A	B - INCHES (mm)	C - INCHES (mm)	D - INCHES (mm)	E - INCHES (mm)
AV101	1/8	.33 (8.38)	1.12 (28.45)	.56 (14.22)	.44 (11.18)
AV102	1/4	.50 (12.70)	1.19 (30.23)	.75 (19.05)	.56 (14.22)
AV103	3/8	.51 (12.95)	1.25 (31.75)	1.00 (25.40)	.69 (17.53)
AV104	1/2	.66 (16.76)	1.31 (33.27)	1.25 (31.75)	.88 (22.35)
AV105	3/4	.66 (16.76)	1.50 (38.10)	1.50 (38.10)	1.12 (28.45)

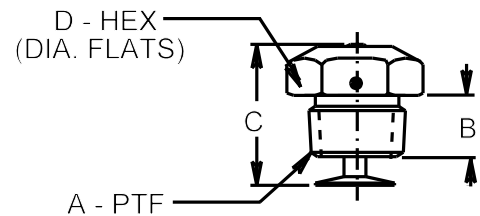
- Labyrinth air path restricts direct entry of dirt and moisture.
- Aluminum construction.



## BAFFLE VENT

CATALOG NUMBER	A	B - INCHES (mm)	C - INCHES (mm)	D - INCHES (mm)
AV51	1/8	.31 (7.87)	.75 (19.05)	.44 (11.18)
AV52	1/4	.50 (12.70)	1.00 (25.40)	.62 (15.75)
AV53	3/8	.50 (12.70)	1.00 (25.40)	.69 (17.53)
AV54	1/2	.64 (16.26)	1.16 (29.46)	.88 (22.35)
AV55	3/4	.66 (16.76)	1.50 (38.10)	1.25 (31.75)

- Used to vent gear cases, transmission housings, speed reducers, etc.
- Low profile, economical vent with copper baffle that deflects splashed fluid.
- Steel body.



## HIGH FLOW VENT

LDI Industries' high flow vent features a large flow area with a low profile and tamper proof cap.

### STANDARD MATERIALS:

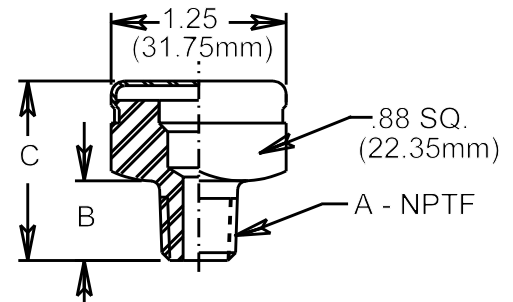
- Steel construction
- Zinc plated

**CURRENTLY MADE TO ORDER.**  
(MINIMUM ORDER MAY BE REQUIRED)

When ordering, select the catalog number from the chart, followed by optional suffix letter for features:  
No Suffix = Full flow.

- B Baffle.
- F Felt filter (SAE F10 material).
- S Screen (100 mesh stainless steel).

**EXAMPLE: AV204 - S** - Optional screen (100 mesh stainless steel).  
AV204 Series



CATALOG NUMBER	A	B - INCHES (mm)	C - INCHES (mm)
AV201	1/8	.38 (9.65)	1.08 (27.43)
AV202	1/4	.56 (14.22)	1.26 (32.00)
AV203	3/8	.56 (14.22)	1.26 (32.00)
AV204	1/2	.75 (19.05)	1.45 (36.83)



Lube Devices • Flodar • Hydra-Tool • Vescor  
1864 Nagle Ave. P. O. Box 1810  
Manitowoc, WI 54221-1810  
Phone: (920) 682-6877 Fax: (920) 684-7210  
E-MAIL: sales@ldi-industries.com WEBSITE: www.ldi-industries.com

10/06

VENTS / BREATHERS  
**BULLETIN F1297-2**  
ISO9001:2000 CERTIFIED